

SIGHT MARK®

USER MANUAL



**ULTRA SHOT M-SPEC
FMS REFLEX SIGHT**

SM26035-SM26035DE

ABOUT SIGHTMARK®

While Sightmark's MAKE YOUR MARK tagline perfectly illustrates our mission to provide uncompromising accuracy in virtually any environment, to us, those three words mean quite a bit more.

MAKE YOUR MARK represents our commitment; first, to those who serve; second, to our Constitutional right to bear arms, the right ensuring all others remain intact; and finally, every single professional and recreational shooting enthusiast embracing and sharing our Pro-2nd Amendment lifestyle.

MAKE YOUR MARK also symbolizes our desire to build more than a brand people know they can trust. It represents our higher calling to build an honorable, unapologetic legacy, truly appreciative of the fabric of a free society to pass on to future generations. Only accomplishing the latter truly embodies the gravity of what MAKE YOUR MARK means to us.

In the spirit of gratitude for those who preserve freedom as we know it to be, MAKE YOUR MARK is a call to action. One we take seriously when it comes to developing products worthy of our brand... and our lifetime warranty. The same brand countless professionals rely upon for performance in the best... and most assuredly, worst of times.



ULTRA SHOT M-SPEC FMS

Perfectly suited for fast, accurate action at the range, the Sightmark Ultra Shot M-Spec FMS Reflex Sight delivers a crisp field of view with an advanced, anti-reflective, scratch resistant lens system, red 65-MOA circle-dot reticle with 10 brightness settings, night vision brightness modes, parallax correction (beyond 10 yds.), 1 MOA click adjustments (120 MOA of travel), Interlock internal locking adjustment system and a long, reliable battery life, from 200 to 2,000 hours on a single CR123 battery. Built tough, the IP55 weather-resistant, shockproof Ultra Shot M-Spec FMS Reflex boasts a 6061-T6 aircraft-grade aluminum body and protective shield, recoil rating up to .50 BMG, locking picatinny mount and a lifetime warranty. Includes adjustment tools, CR123A battery, operation manual and neoprene cover. Compatible with the Sightmark XT-3 Tactical Magnifier (SM19062).

FEATURES:

- Rugged, lightweight magnesium alloy housing
- Protective aluminum shield
- Patented integrated sunshade (US10139197)
- Wide lens provides quick target acquisition
- Slotted windage and elevation adjustments
- Motion sensing auto on/off activation
- Low battery indication
- Digital switch controls
- 10 reticle brightness levels
- Night vision brightness modes
- 12 hour auto shutoff
- Scratch resistant lens coating
- Interlok™ internal locking adjustment system

INCLUDED:

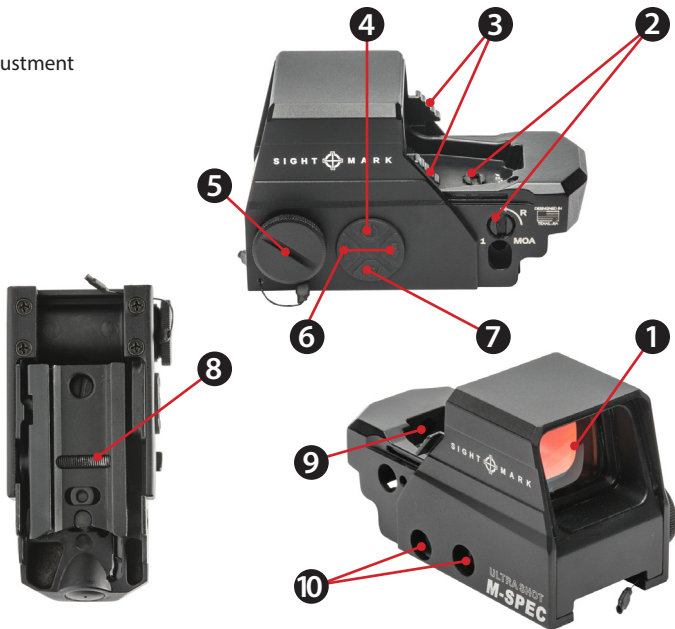
- Neoprene cover
- Adjustment tools
- Battery
- Manual

TECHNICAL SPECIFICATIONS

| | | | |
|-------------------------------------|---|----------------------------|-------------------------------|
| Reticle type | 65 MOA Circle Dot Crosshair (60 MOA circle w/ 5 MOA subtension, 2 MOA central dot) | Maximum recoil | up to .50 BMG |
| | | IP rating | IP68 - waterproof to 40ft/12m |
| | | Lens coatings | AR Red |
| Illuminated Reticle color | Red | Mount type | Fixed, Picatinny |
| Brightness settings | Off, 1-10 / NV 1-6 | Battery type | CR123A |
| Magnification | 1x | Battery life | 200-2000hrs |
| Eye relief | unlimited | Operating temperature (°F) | -22 to 160 |
| Elevation adjustment range (MOA) | 120 | Dimensions (in/mm) | 4.01/102x1.85/47x2.32/59 |
| Windage adjustment range (MOA) | 120 | Weight | 9.6oz |
| MOA adjustment (1click) | 1 MOA | | |
| Finish/color | Matte black | | |
| Body material | Magnesium alloy | | |
| Parallax setting | 10yd | | |

DIAGRAM

1. Objective Lens
2. Windage & Elevation Adjustment
3. Integrated Sunshade
4. On/Off Mode
5. Battery Cap
6. Brightness Control
7. NV Mode
8. Crossbolt
9. LED Aperture
10. Mounting screws



INSTALLING THE BATTERY

The Sightmark Ultra Shot M-Spec is powered by a single CR123A battery. Should the reticle illumination grow dim or fail to illuminate, the battery needs to be replaced.

To install a new battery:

1. Unscrew the battery cap (5) counterclockwise.
2. Insert the new battery into the battery compartment with the positive (+) side inserted first.
3. Screw the battery cap on clockwise until firmly secure. Use a flat head screwdriver. Do not over tighten.

Note: *The Ultra Shot M-Spec is equipped with low battery indication. When the battery has 2 hours of battery life remaining, the reticle will blink 4 times. Each time the unit is turned on or a button is pressed the reticle will blink 4 times to indicate low battery life. When the battery has 10 minutes of battery life remaining, the reticle will continuously blink until a new battery is installed.*

ON/OFF ACTIVATION

To turn the unit on:

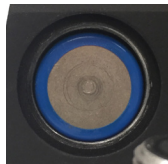
1. Press and release the on/off button (4) to turn on the reticle.

The unit can also be turned on in NV mode by pressing the NV (7) mode button.

To turn the unit off:

1. Press and hold the on/off button for 3 seconds to turn the unit off

Note: *The unit will automatically shut off after 12 hours to save battery life. If the auto on activation is turned on the unit will shut off after 5 minutes of no movement. Regardless if auto on activation is turned on, the unit will still shut off after 12 hours. To turn back on simply press the on/off button*



BRIGHTNESS CONTROLS

The Ultra Shot M-Spec offers 10 daytime brightness settings and 6 night vision settings. Settings 1 through 5 are high to mid-level brightness and are best for outdoor environments. Settings 6 - 8 are mid to low-level brightness and best for indoor environments, and settings 9 and 10 are very low brightness levels best for low light environments. Night vision mode further decreases reticle brightness so that the reticle is only visible using a night vision monocular, such as a PVS-14.

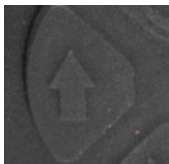
To adjust the brightness:

1. Press the on/off button (4) to turn the reticle on.
2. Press the up or down arrow (6) to increase or decrease reticle brightness.

To switch to NV mode:

1. Press the NV mode button (7).
2. Press the up or down arrow (6) to increase or decrease reticle brightness.
3. To return to daytime brightness mode, press the on/off button. The reticle will return to the last daytime brightness setting used.

Note: When the unit is off, pressing the NV mode will start the unit in NV mode. The last brightness setting used in daytime and NV mode prior to deactivation will be the same setting next time the unit is activated in daytime or NV mode.



AUTO ON/OFF ACTIVATION

The Ultra Shot M-Spec is equipped with motion sensing auto on/off activation. When turned on the sight will turn off or sleep after 5 minutes of no moment. If the firearm is picked up, or the sight is moved, the reticle will automatically turn on to the last brightness setting used.

To turn auto activation on:

1. Locate both the on/off button (4) and NV mode button (7).
2. Press both buttons at the same time to turn on auto on/off activation mode.
3. The reticle will blink once to confirm this mode is on.

To turn auto activation off:

1. Locate both the on/off button and NV mode button.
2. Press both buttons at the same time to turn off auto on/off activation mode.
3. The reticle will blink twice to confirm this mode is off.

MOUNTING

The Ultra Shot M-Spec is designed to mount to picatinny rails only. The M-Spec FMS is equipped with a fixed mount. For safety, it is best to have at least three to four inches of eye relief.

To mount:

1. Loosen the two mounting screws (10) on the side of the sight.
2. Place the unit on your firearm rail with the objective lens (1) facing towards the muzzle.
3. Confirm the sight is sitting flat on top of the rail and that the crossbolt (8) is located between the grooves on the rail.
4. When the sight is in place, tighten each mounting screw evenly with the included hex key. Tighten to 55 to 65 in/lbs of torque.

OPERATING THE INTEGRATED SUNSHADE

The Sightmark Ultra Shot M-Spec has an integrated sunshade that can be retracted out in bright, sunny environments or in rainy conditions. The sunshade will reduce lens glare and improve visual performance in bright outdoor conditions. It will also help prevent large objects and debris from falling into the optical path.

To retract the sunshade:

1. Pull back the sunshade's two handles (3) on each side of the protective hood.
2. Slide the sunshade completely back until it clicks and locks into place.
3. To store the sunshade in its original, stored position, push the sunshade forward until it clicks and locks into the place under the protective hood.



OPERATING THE WINDAGE AND ELEVATION ADJUSTMENTS

The Sightmark Ultra Shot M-Spec has built-in windage and elevation adjustments (2) with audible clicks. The adjustments are slotted and can be adjusted with a coin or flathead screwdriver. The click value is 1 MOA meaning each click moves the point of impact 1" at 100 yards or ½" at 50 yards.

In order to make windage and elevation adjustments:

1. Use a coin or flathead screwdriver to make adjustments or "clicks".
2. Turn the adjustments in the appropriate direction needed to change the point-of-impact as indicated by the "UP" and "R" arrows marked next to the adjustments.
3. For elevation adjustment, turn the adjustment counter-clockwise to adjust the bullet's point of impact up. Turn the adjustment clockwise to adjust the bullet's point of impact down. For windage adjustments, turn the adjustment counter-clockwise to adjust the bullet's point of impact left. Turn the adjustment clockwise to adjust the bullet's point of impact right.



BORESIGHTING & SIGHTING IN

Boresighting and test firing should be performed safely on a firing range. Laser boresights are a quick and accurate method for sighting in. Below is listed the traditional method of boresighting and works best when the unit is mounted on a rest.

1. When mounting the sight on a bolt action rifle, remove the bolt; or when mounting to a semi-automatic rifle, disassemble the rifle until there is a straight line of sight through the bore.
2. Use a target at least twenty-five yards to fifty yards away when sighting in the sight. Look through the bore of the weapon and locate the bull's-eye of the target.

BORESIGHTING & SIGHTING IN continued

3. Sight in the target through the bore and then make windage and elevation adjustments (see “Operating Windage and Elevation Adjustments” for instructions) to the sight until the reticle is centered on the bull’s-eye.

To verify the sight is accurately sighted in, always fire a three-shot test group at 50 or 100 yards preferably using the same ammo manufacturer, grain, and lot number.

4. After firing a group use the center of this grouping and make the necessary amount of adjustments to the elevation and windage adjustments to move your firearm’s grouping to the center of the target.
5. Again fire a three-shot test group to confirm the adjustments. Use the center of the new group to determine final adjustments.

MAINTENANCE

Proper maintenance of the Sightmark Ultra Shot is recommended to ensure longevity. It is recommended that when the sight becomes dirty that it is wiped down with a dry or slightly damp cloth. Blow dirt and debris off all optics and then clean lenses with a lens cleaning cloth. To remove oils or dried water spots, apply a small amount of denatured alcohol to a lens cloth or cotton swab. Clean the surface of the objective lens (1) or LED aperture (9) and let dry. Finally use your breath to clean the lens once more. No further maintenance is required. Do not attempt to disassemble any components of the sight.

STORAGE

Make sure that your Sightmark Ultra Shot is securely attached to your rifle before storing, and be sure that the reticle illumination is turned off. Cover with the included neoprene cover. Remove the batteries if the unit will be stored for an extended period of time.

WARNING

Before handling the Sightmark Ultra Shot read and understand the contents of your firearm's manual, and the Sightmark manual. Follow all standard safety precautions and procedures during firearm operation, even when the reflex sight is not in use.

- Avoid hitting or dropping the unit
- **ALWAYS** check that the chamber of your weapon is clear before mounting or dismounting the reflex sight.
- The reticle illumination should be tested during periods of non-use to make sure it is still operating properly. Failure to follow standard firearm safety precautions and procedures, as well as the above warnings, is dangerous and may result in serious injury, damage to property, or death.

TROUBLESHOOTING

Proper authorization is required before shipping any product back to Sightmark. Failure to obtain authorization could result in your product being returned to the wrong address, lost, or damaged. Sightmark is not liable for products returned without authorization.

Sight does not hold zero:

1. Verify the sight is mounted securely to the rifle. If the sight can be shifted in any direction, tighten the mounting tension nut according to the mounting instructions but do not over tighten. The sight will need to be re-zeroed afterwards.
2. Be sure to use factory-loaded ammunition of the same bullet type, weight, and, preferably lot number when sighting in.

The reticle does not illuminate:

1. Check that the battery is in working order and that the polarity of the battery is correct.
2. Check that there is no residue, film, or corrosion on the battery contacts that may be preventing the reticle from illuminating.
3. Check that the contact springs in the battery compartment are not bent.
4. Make sure there is no object blocking the light path between the LED aperture (9) and objective lens (1).
5. Make sure the sight is not set to Night Vision mode.

The reticle is blurry and not in focus:

1. Decrease the brightness level of the reticle. The halo or fuzzy appearance is caused by excess illumination than is required for the current environment the sight is being used in.
2. Make sure the objective lens and LED aperture is clean and does not have any film, fingerprints, or debris covering the surface. Blow off any debris or dirt covering the lens. Use a lens cloth or cotton swab dipped in alcohol to remove any film or fingerprints.

TROUBLESHOOTING continued

3. If you are testing the product at a close range, 5 yards or less, to verify its on/off operation the eye will accommodate and focus either on the sight's reticle or the target you are observing not both. Test the product beyond 5 yards and focus your eye on the target, then the reticle and target should be in focus.
4. If you are near-sighted the reticle will appear blurry without corrective vision (glasses, contacts). The reticles are parallax fixed at a distance of 10. This is the same as looking at an object at that distance. Without proper corrective vision for near-sighted users, the reticle will always appear blurry.

The reticle illumination turns off while firing:

1. Make sure any internal contact springs are not bent. Tighten the battery cap with a coin or flathead screw driver so the cap is fully seated

SIGHTMARK WARRANTY

Please visit www.sightmark.com for warranty details and information.

ADDITIONAL LANGUAGES

Please visit www.sightmark.com for additional languages of this manual.

NOTES

SIGHT  MARK[®]

www.sightmark.com