

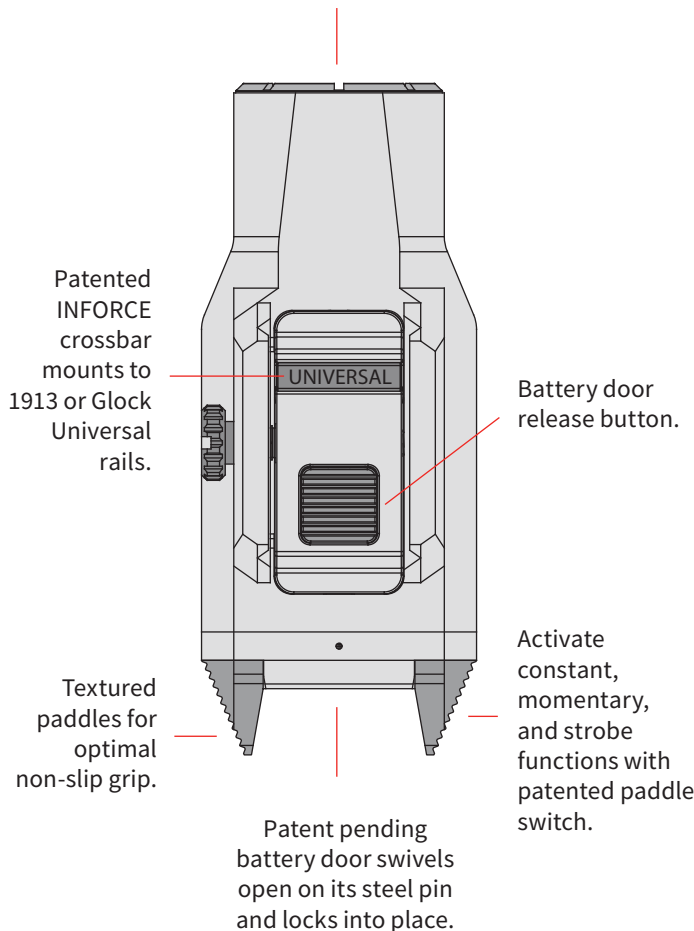
# WILD2™

## WEAPON INTEGRATED LIGHTING DEVICE

The Wild2 provides 1000 lumens of white light with up to 1.5 hours of runtime. Ultra-light and durable, weighing 4.7 ounces, it provides a well-defined hotspot with the perfect balance of spill. Wild2 is primarily made out of 6061-T6 aluminum and a Type III MIL-SPEC hard anodize finish. The device is impervious to dust, sand, and dirt, and is waterproof to 66 feet. Mount the Wild2 in seconds to any gun equipped with a 1913 (e.g., Sig Sauer P320) or Glock Universal (e.g., Gen 3 or Gen 4 Glock) rail. Transition between rail types by reversing the patented INFORCE crossbar in the mounting fixture. All three functions — constant, momentary, and strobe — are activated by pressing laterally on either the left or right paddle.

PART #	BODY COLOR	SKU
WLD2-05-1	Black	IF71001

1000  
LUMENS



ACTUAL SIZE



<b>HIGH OUTPUT</b>	1,000 Lumens
<b>PEAK BEAM INTENSITY</b>	25,000 Candela
<b>DISTANCE</b>	1036 Feet/316 Meters
<b>HIGH RUNTIME</b>	1.5 Hours
<b>BATTERIES</b>	Two 123a Included
<b>WEIGHT WITH BATTERIES</b>	4.7 oz/135.0 g
<b>LENGTH</b>	3.5 in/8.9 cm
<b>BEZEL DIAMETER</b>	1.1 in/2.8 cm
<b>SWITCHING</b>	Ambidextrous Paddles
<b>FUNCTIONS</b>	Constant/Momentary/Strobe
<b>LOCKOUT SYSTEM</b>	Paddle Activated
<b>MOUNTING</b>	1913 or Glock Universal Rail
<b>CONSTRUCTION</b>	6061-T6 Aluminum
<b>FINISH</b>	MIL-SPEC Hard Anodize
<b>WATERPROOF</b>	Up to 66 Feet/20 Meters

© 2020 Emissive Energy Corp. 135 Circuit Drive, North Kingstown, RI 02852 USA; Tel: 401-294-2030; www.inforce-mil.com. U.S. & International patents are pending. Manufactured in the U.S.A. of domestic & foreign components.