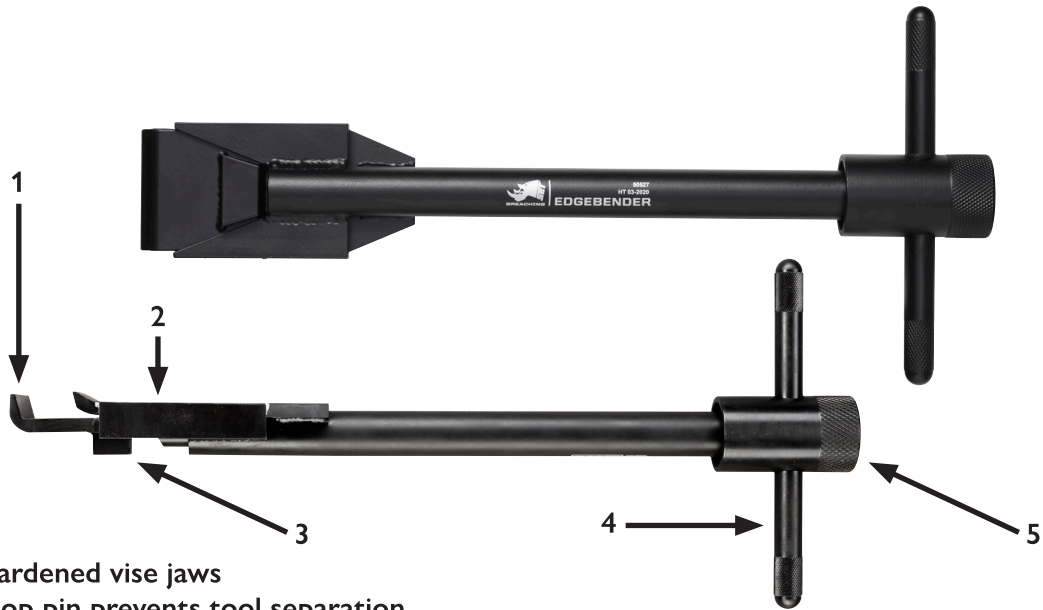




- This security plate/edge bypass tool has revolutionized the ability to open outward opening metal and security doors in a reliable way.
- Without this tool there is a substantial risk that forcing the door will be completely unsuccessful. This is especially the case for niche mounted doors.
- The heel makes it possible to support the EdgeBender with another tool and minimize the risk of losing the grip from the overlap/edge.

Product information	
Prod Nr	50527
Prod Name	Edgebender 2
HS code	8205598000
Nato stock nr	
Material	Steel
Color	Black

Product dimension	
Length	435 mm
Weight	3.1 kg
Package dimension	
Length	450 mm
Width	210 mm
Height	75 mm
Weight	3.3 kg



- 1. Hardened vise jaws
- 2. Stop pin prevents tool separation
- 3. Supporting heel
- 4. T-handle
- 5. Knurled grip

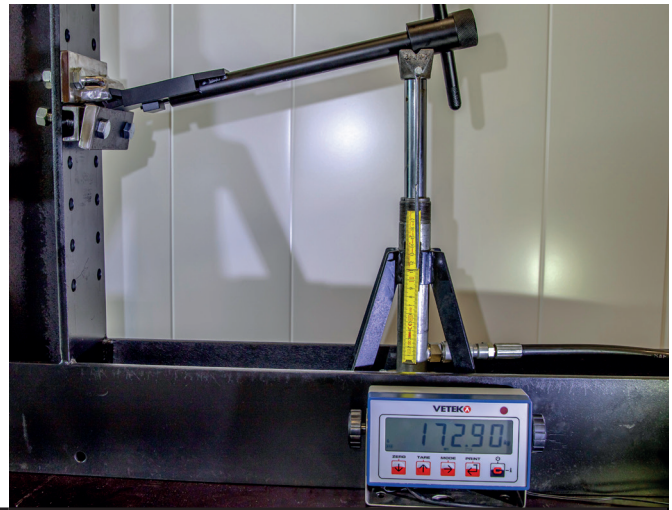


## Strength test of the Edgebender 2

- Primary purpose of this test is to ensure quality during factory production.
  - Second purpose of the test is to ensure there is no end user tool failure when used correctly.
  - Tool failure can lead to operator injury or compromise the operation in some way.
- Test number 1 is strength test for the handle and the head of the tools.  
Test number 2 is to ensure the moving parts has sufficient strength in the material.

### Test 1

The Edgebender is tested with **170 kg+** pressure on the handle. This is the normal load when using the tool properly.



After releasing the pressure, the Edgebender returns to normal position without any distortion.



### Test 2

Torsion strength.  
A nut is welded on the top of the Edgebender. The handle is manually ratched with a 1/2inch drive torque wrench. **Tightened to 130 newton meters.**



No Edgebender damage after the testing.

