



- Training door for mechanical and hydraulic breaching training
- Both in and outward breaching training.
- Replaceable spare parts.
- Unlimited number of breach.
- Heavy duty construction.
- Multi point locking mechanism with steel pins and wood shims.
- Powder coated with primer and top coating compliant to EN ISO 12944.
- Can be mounted as a free standing module or installed in a wall or container.

Product information

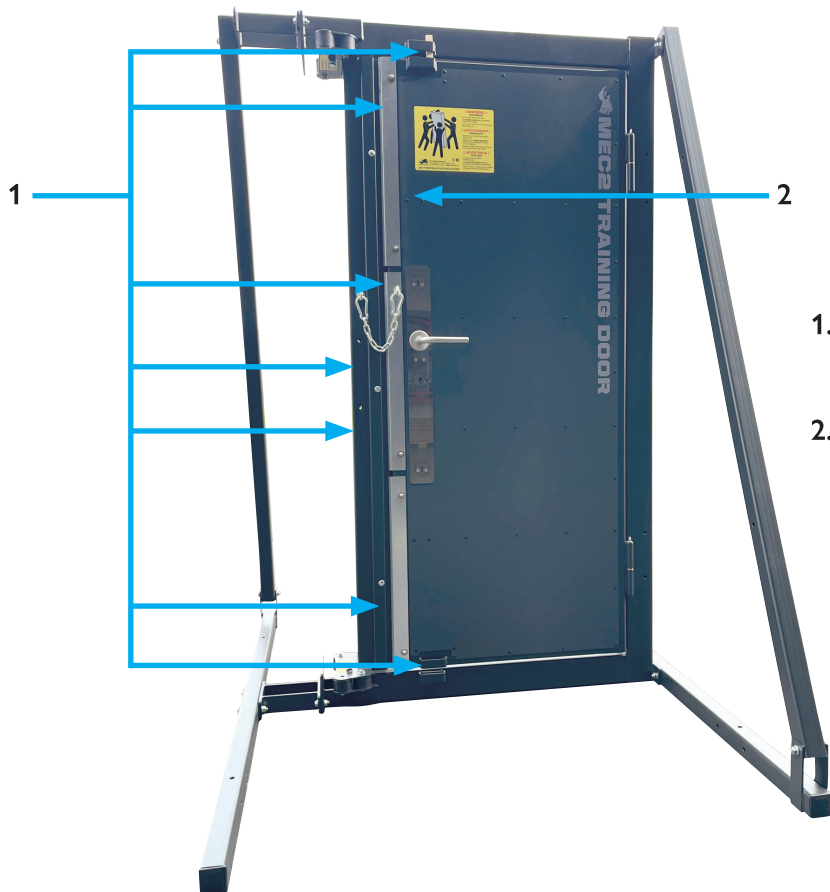
Prod Nr	30011
Prod Name	MEC2 Training Door
HS code	7308300000
Nato stock nr	NSN:1375640000996
Mateial	100x60, 80x60 and 60x60 steel
Color	RAL7021 and RAL7016

Product dimension

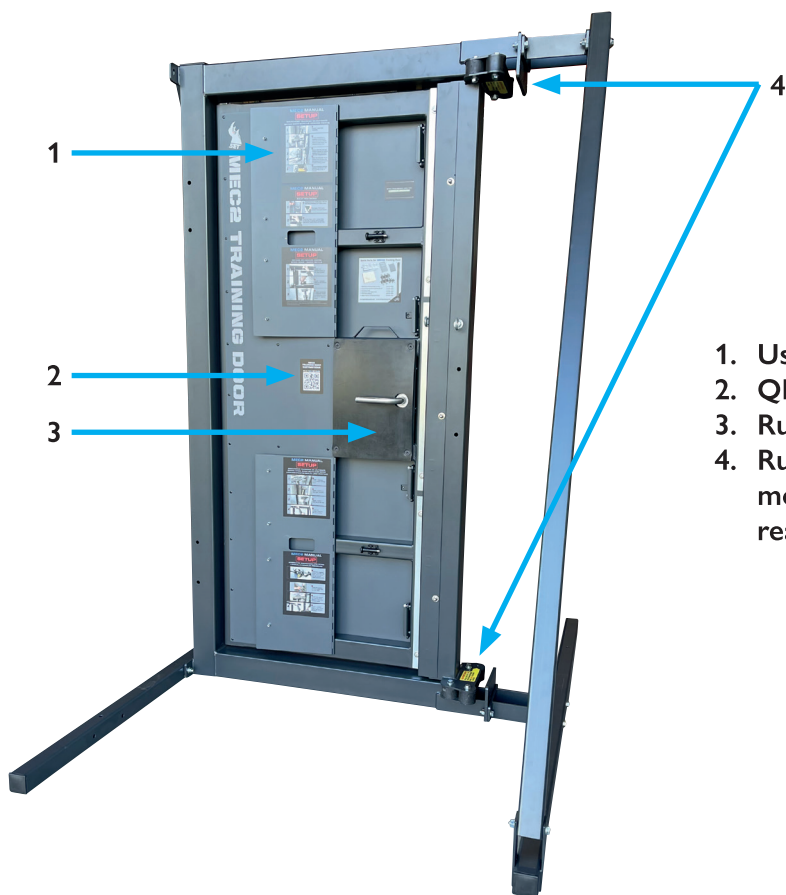
Length	1175 mm
Depth	200 mm
Height	2228 mm
Weight	280 kg incl stands

Package dimension

Length	2320 mm
Width	1320 mm
Height	550 mm
Weight	310 kg

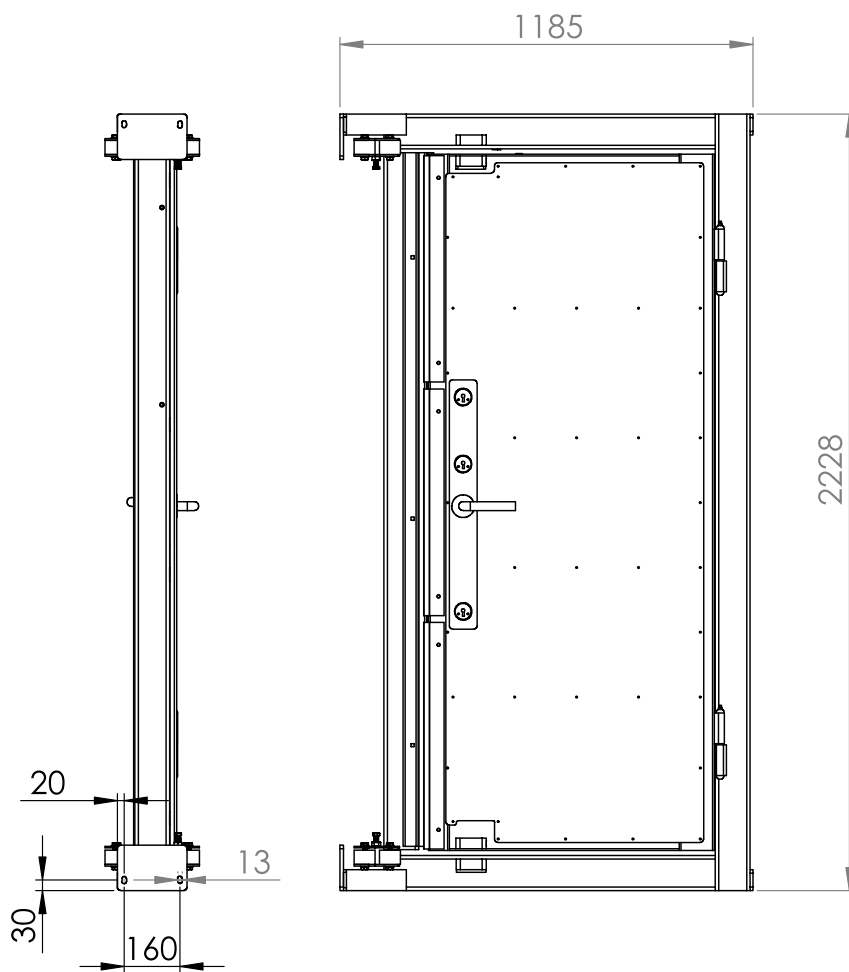


1. Variation of locking points to simulate both standard doors and multi lock doors.
2. Three changeable DoorJamEdges.

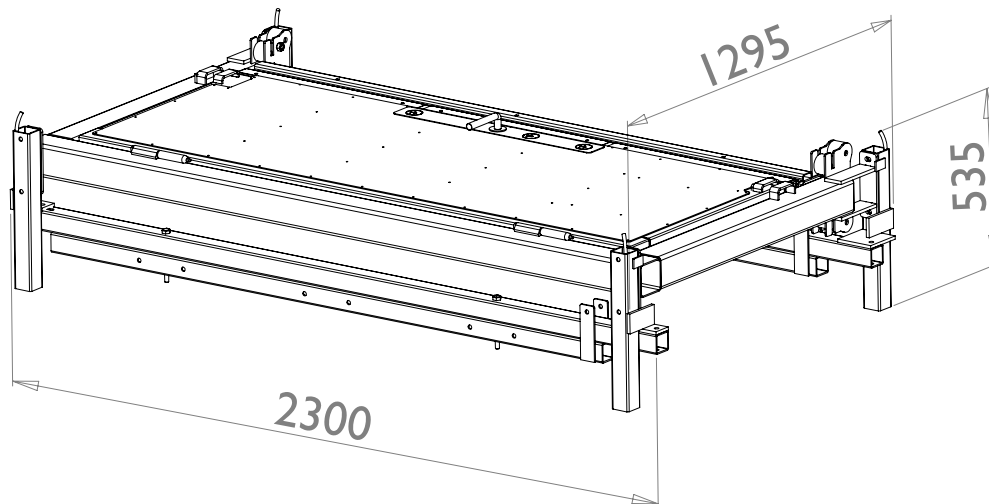


1. User instructions.
2. QR-codes to online manuals.
3. Rubber Plate for ramming.
4. Rubber cushions. Creates a movable construction for a realistic experience.

Product dimensions



Package dimensions



30031 Replacement DoorJambEdges



Product information

Prod Nr	30031
Prod Name	Replacement DoorJambEdges (24 pcs)

30072 Bolts for DoorJambEdges

Product information

Prod Nr	30072
Prod Name	Bolts for DoorJambEdges (10pcs)

30022 Steel Pins for Hydraulic Breaching



Product information

Prod Nr	30022
Prod Name	Steel Pins for Hydraulic Breaching (50 pcs)

30018 Steel Pins



Product information

Prod Nr	30018
Prod Name	Steel Pins (50 pcs)

30026 Replacement Case Edges



Product information

Prod Nr	30026
Prod Name	Replacement Case Edges (1 pcs)

30073 Bolts for Replacement Case Edges

Product information

Prod Nr	30073
Prod Name	Bolts for Replacement Case Edges (6pcs)

30020 Wood Shims



Product information

Prod Nr	30020
Prod Name	Wood Shims (200 pcs)

30014 Rubber Cushion Training Door



Product information

Prod Nr	30014
Prod Name	Rubber Cushion Training Door (8 pcs)

30024 Rubber Plate



Product information

Prod Nr	30024
Prod Name	Rubber Plate for MEC2 Training Door

30035 Platform for MEC2 Training Door



Product information

Prod Nr	30035
Prod Name	Platform for MEC2 Training Door